

## Ø22/25 Round Standard Lever Selector Switches (S2SR Series)

Type	Appearance	Operating position	Model	Contact block		LED block	
				A contact	B contact	AC/DC voltage	AC voltage
Standard short lever, extended		2-position, spring return	S2SR-S1□A(M)	1	—	—	—
			S2SR-S1□2A(M)	2	—		
			S2SR-S1□B(M)	—	1		
			S2SR-S1□2B(M)	—	2		
			S2SR-S1□AB(M)	1	1		
		2-position, maintained	S2SR-S3□A(M)	1	—		
			S2SR-S3□2A(M)	2	—		
			S2SR-S3□B(M)	—	1		
			S2SR-S3□2B(M)	—	2		
		3-position, spring return two-way	S2SR-S5K□2A(M)	2	—		
			S2SR-S5K□2B(M)	—	2		
			S2SR-S5K□AB(M)	1	1		
		3-position, maintained	S2SR-S7K□2A(M)	2	—		
			S2SR-S7K□2B(M)	—	2		
			S2SR-S7K□AB(M)	1	1		
		3-position, spring return from right	S2SR-SAK□2A(M)	2	—		
			S2SR-SAK□2B(M)	—	2		
			S2SR-SAK□AB(M)	1	1		
3-position, spring return from left	S2SR-SCK□2A(M)	2	—				
	S2SR-SCK□2B(M)	—	2				
	S2SR-SCK□AB(M)	1	1				

※□ indicates color: **W**, **R**

※The M in the model name indicates modular type contact block. Models without M are singular contact block.

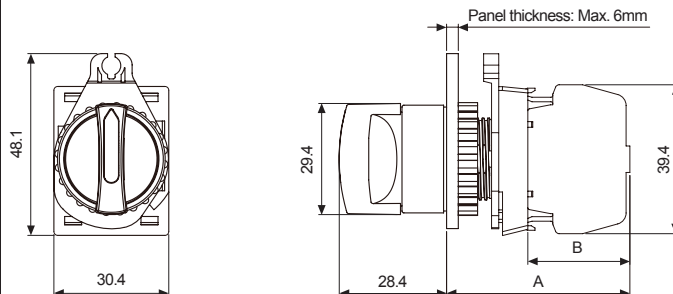
※The control unit, contact blocks, LED blocks are sold separately.

(control unit: bold letters, contact block: regular letters)

※Connect up to 2 contact blocks. Connect the contact blocks only on the right and left side slots. It will not operate if connected to the center slot.


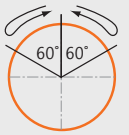
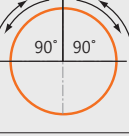
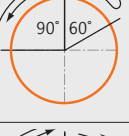
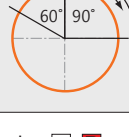
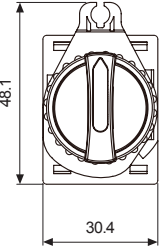
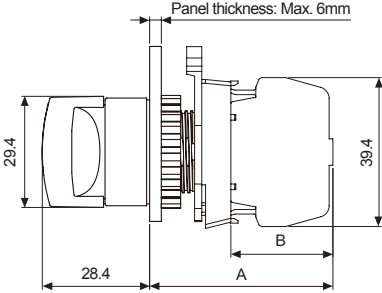
### • Dimensions

(unit: mm)




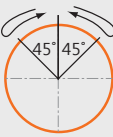


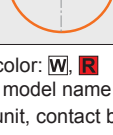


	A	B
Singular type	48.5	27.0
Modular type	46.5	25.0

※For panel cut-out dimensions, please refer to page A-82.

Type	Appearance	Operating position	Model	Contact block		LED block										
				A contact	B contact	AC/DC voltage	AC voltage									
Standard short lever, extended		3-position, spring return two-way	 <b>S2SR-S5</b> □2A(M)	2	—	—	—									
			<b>S2SR-S5</b> □2B(M)	—	2											
			<b>S2SR-S5</b> □AB(M)	1	1											
		3-position, maintained		<b>S2SR-S7</b> □2A(M)	2			—								
				<b>S2SR-S7</b> □2B(M)	—			2								
				<b>S2SR-S7</b> □AB(M)	1			1								
		3-position, spring return from right		<b>S2SR-SA</b> □2A(M)	2			—								
				<b>S2SR-SA</b> □2B(M)	—			2								
				<b>S2SR-SA</b> □AB(M)	1			1								
		3-position, spring return from left		<b>S2SR-SC</b> □2A(M)	2			—								
				<b>S2SR-SC</b> □2B(M)	—			2								
				<b>S2SR-SC</b> □AB(M)	1			1								
<p>※□ indicates color: <b>W</b>, <b>R</b></p> <p>※The M in the model name indicates modular type contact block. Models without M are singular contact block.</p> <p>※The control unit, contact blocks, LED blocks are sold separately. (control unit: bold letters, contact block: regular letters)</p> <p>※Connect up to 2 contact blocks. Connect the contact blocks only on the right and left side slots. It will not operate if connected to the center slot.</p> <p>• Dimensions <span style="float: right;">(unit: mm)</span></p> <div style="display: flex; justify-content: space-around; align-items: flex-start;"> <div style="text-align: center;">  <p>48.1</p> <p>30.4</p> </div> <div style="text-align: center;">  <p>Panel thickness: Max. 6mm</p> <p>29.4</p> <p>28.4</p> <p>39.4</p> <p>A</p> <p>B</p> </div> <div style="border: 1px solid black; padding: 5px;"> <table border="1"> <thead> <tr> <th></th> <th>A</th> <th>B</th> </tr> </thead> <tbody> <tr> <td>Singular type</td> <td>48.5</td> <td>27.0</td> </tr> <tr> <td>Modular type</td> <td>46.5</td> <td>25.0</td> </tr> </tbody> </table> </div> </div> <p style="text-align: right;">※For panel cut-out dimensions, please refer to page A-82.</p>									A	B	Singular type	48.5	27.0	Modular type	46.5	25.0
	A	B														
Singular type	48.5	27.0														
Modular type	46.5	25.0														

# Ø22/25 Selector Switches

Type	Appearance	Operating position	Model	Contact block		LED block		
				A contact	B contact	AC/DC voltage	AC voltage	
Standard long lever, extended		2-position, spring return	 S2SR-S2□A(M)	1	—	—	—	
			S2SR-S2□2A(M)	2	—			
			S2SR-S2□B(M)	—	1			
			S2SR-S2□2B(M)	—	2			
			S2SR-S2□AB(M)	1	1			
		2-position, maintained		S2SR-S4□A(M)	1			—
				S2SR-S4□2A(M)	2			—
				S2SR-S4□B(M)	—			1
				S2SR-S4□2B(M)	—			2
		3-position, spring return two-way		S2SR-S6K□2A(M)	2			—
				S2SR-S6K□2B(M)	—			2
				S2SR-S6K□AB(M)	1			1
		3-position, maintained		S2SR-S8K□2A(M)	2			—
				S2SR-S8K□2B(M)	—			2
				S2SR-S8K□AB(M)	1			1
		3-position, spring return from right		S2SR-SBK□2A(M)	2			—
				S2SR-SBK□2B(M)	—			2
				S2SR-SBK□AB(M)	1			1
3-position, spring return from left		S2SR-SDK□2A(M)	2	—				
		S2SR-SDK□2B(M)	—	2				
		S2SR-SDK□AB(M)	1	1				

※□ indicates color: **W**, **R**

※The M in the model name indicates modular type contact block. Models without M are singular contact block.

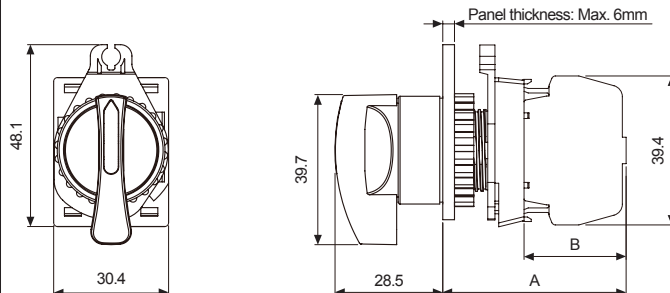
※The control unit, contact blocks, LED blocks are sold separately.

(control unit: bold letters, contact block: regular letters)

※Connect up to 2 contact blocks. Connect the contact blocks only on the right and left side slots. It will not operate if connected to the center slot.



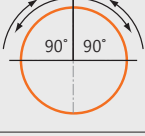
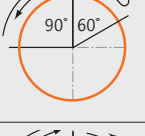
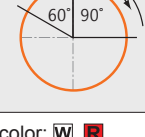
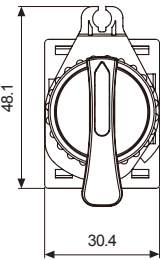
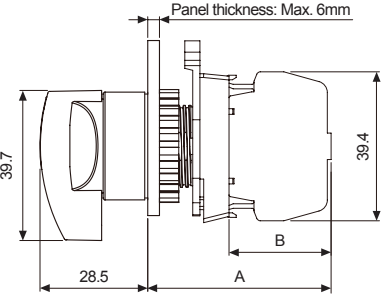
• Dimensions

(unit: mm)


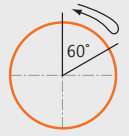
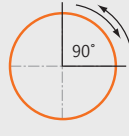
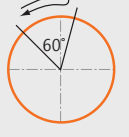
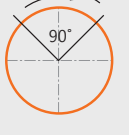



	A	B
Singular type	48.5	27.0
Modular type	46.5	25.0

※For panel cut-out dimensions, please refer to page A-82.

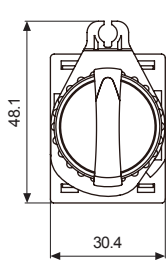
Type	Appearance	Operating position	Model	Contact block		LED block										
				A contact	B contact	AC/DC voltage	AC voltage									
Standard long lever, extended	 S2SR-S2W□	3-position, spring return two-way	 S2SR-S6□2A(M)	2	—	—	—									
			S2SR-S6□2B(M)	—	2											
			S2SR-S6□AB(M)	1	1											
		3-position, maintained		S2SR-S8□2A(M)	2			—								
				S2SR-S8□2B(M)	—			2								
				S2SR-S8□AB(M)	1			1								
		3-position, spring return from right		S2SR-SB□2A(M)	2			—								
				S2SR-SB□2B(M)	—			2								
				S2SR-SB□AB(M)	1			1								
		3-position, spring return from left		S2SR-SD□2A(M)	2			—								
				S2SR-SD□2B(M)	—			2								
				S2SR-SD□AB(M)	1			1								
<p>※□ indicates color: <b>W</b>, <b>R</b></p> <p>※The M in the model name indicates modular type contact block. Models without M are singular contact block.</p> <p>※The control unit, contact blocks, LED blocks are sold separately. (control unit: bold letters, contact block: regular letters)</p> <p>※Connect up to 2 contact blocks. Connect the contact blocks only on the right and left side slots. It will not operate if connected to the center slot.</p>																
<p>• Dimensions <span style="float: right;">(unit: mm)</span></p> <div style="display: flex; justify-content: space-around; align-items: flex-start;"> <div style="text-align: center;">  <p>48.1 30.4</p> </div> <div style="text-align: center;">  <p>Panel thickness: Max. 6mm 39.7 28.5 39.4 A B</p> </div> <div style="text-align: center;"> <table border="1"> <thead> <tr> <th></th> <th>A</th> <th>B</th> </tr> </thead> <tbody> <tr> <td>Singular type</td> <td>48.5</td> <td>27.0</td> </tr> <tr> <td>Modular type</td> <td>46.5</td> <td>25.0</td> </tr> </tbody> </table> </div> </div> <p style="text-align: right;">※For panel cut-out dimensions, please refer to page A-82.</p>									A	B	Singular type	48.5	27.0	Modular type	46.5	25.0
	A	B														
Singular type	48.5	27.0														
Modular type	46.5	25.0														

## Ø22/25 Round Shark Lever Selector Switches (S2SRN Series)

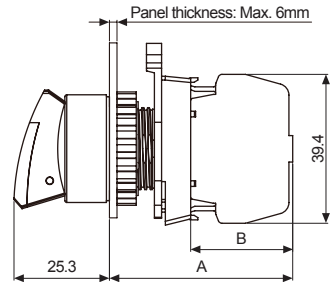
Type	Appearance	Operating position		Model	Contact block		LED block			
					A contact	B contact	AC/DC voltage	AC voltage		
Short shark-head lever, extended	 <p>S2SRN-S1AW□</p>	2-position, spring return		S2SRN-S1A□A(M)	1	—	—	—		
				S2SRN-S1A□2A(M)	2	—				
				S2SRN-S1A□B(M)	—	1				
				S2SRN-S1A□2B(M)	—	2				
				S2SRN-S1A□AB(M)	1	1				
				S2SRN-S3A□A(M)	1	—				
		2-position, maintained		S2SRN-S3A□2A(M)	2	—				
				S2SRN-S3A□B(M)	—	1				
				S2SRN-S3A□2B(M)	—	2				
				S2SRN-S3A□AB(M)	1	1				
				2-position, spring return		S2SRN-S1B□A(M)			1	—
						S2SRN-S1B□2A(M)			2	—
		S2SRN-S1B□B(M)	—			1				
		S2SRN-S1B□2B(M)	—			2				
		S2SRN-S1B□AB(M)	1			1				
		S2SRN-S3B□A(M)	1			—				
		2-position, maintained		S2SRN-S3B□2A(M)	2	—				
				S2SRN-S3B□B(M)	—	1				
				S2SRN-S3B□2B(M)	—	2				
				S2SRN-S3B□AB(M)	1	1				
				2-position, spring return		S2SRN-S1□A(M)			1	—
						S2SRN-S1□2A(M)			2	—
		S2SRN-S1□B(M)	—			1				
		S2SRN-S1□2B(M)	—			2				
S2SRN-S1□AB(M)	1	1								

※□ indicates color: **W**, **R**  
 ※The M in the model name indicates modular type contact block. Models without M are singular contact block.  
 ※The control unit and contact blocks are sold separately.  
 (control unit: bold letters, contact block: regular letters)  
 ※Connect up to 2 contact blocks. Connect the contact blocks only on the right and left side slots.  
 It will not operate if connected to the center slot.

• Dimensions (unit: mm)




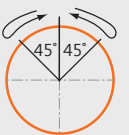



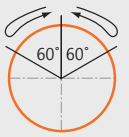
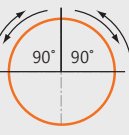
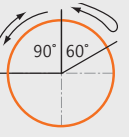
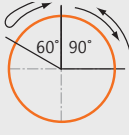
48.1  
30.4



Panel thickness: Max. 6mm  
25.3  
39.4  
A B

	A	B
Singular type	48.5	27.0
Modular type	46.5	25.0

※For panel cut-out dimensions, please refer to page A-82.

Type	Appearance	Operating position		Model	Contact block		LED block	
					A contact	B contact	AC/DC voltage	AC voltage
Short shark-head lever, extended		3-position, spring return two-way		<b>S2SRN-S5K</b> □ 2A(M)	2	—	—	—
				<b>S2SRN-S5K</b> □ 2B(M)	—	2		
				<b>S2SRN-S5K</b> □ AB(M)	1	1		
		3-position, maintained		<b>S2SRN-S7K</b> □ 2A(M)	2	—		
				<b>S2SRN-S7K</b> □ 2B(M)	—	2		
				<b>S2SRN-S7K</b> □ AB(M)	1	1		
		3-position, spring return from right		<b>S2SRN-SAK</b> □ 2A(M)	2	—		
				<b>S2SRN-SAK</b> □ 2B(M)	—	2		
				<b>S2SRN-SAK</b> □ AB(M)	1	1		
		3-position, spring return from left		<b>S2SRN-SCK</b> □ 2A(M)	2	—		
				<b>S2SRN-SCK</b> □ 2B(M)	—	2		
				<b>S2SRN-SCK</b> □ AB(M)	1	1		
		3-position, spring return two-way		<b>S2SRN-S5</b> □2A(M)	2	—		
				<b>S2SRN-S5</b> □2B(M)	—	2		
				<b>S2SRN-S5</b> □AB(M)	1	1		
		3-position, maintained		<b>S2SRN-S7</b> □2A(M)	2	—		
				<b>S2SRN-S7</b> □2B(M)	—	2		
				<b>S2SRN-S7</b> □AB(M)	1	1		
		3-position, spring return from right		<b>S2SRN-SA</b> □2A(M)	2	—		
				<b>S2SRN-SA</b> □2B(M)	—	2		
				<b>S2SRN-SA</b> □AB(M)	1	1		
		3-position, spring return from left		<b>S2SRN-SC</b> □2A(M)	2	—		
				<b>S2SRN-SC</b> □2B(M)	—	2		
				<b>S2SRN-SC</b> □AB(M)	1	1		

※□ indicates color: **W**, **R**

※The M in the model name indicates modular type contact block. Models without M are singular contact block.

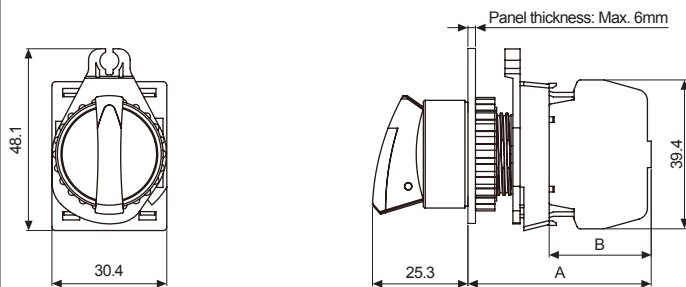
※The control unit and contact blocks are sold separately.

(control unit: bold letters, contact block: regular letters)

※Connect up to 2 contact blocks. Connect the contact blocks only on the right and left side slots. It will not operate if connected to the center slot.

• Dimensions


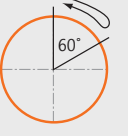
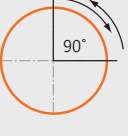


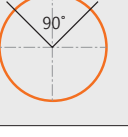
(unit: mm)



	A	B
Singular type	48.5	27.0
Modular type	46.5	25.0

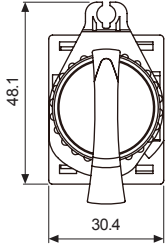
※For panel cut-out dimensions, please refer to page A-82.

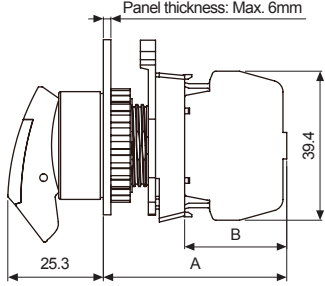
# Ø22/25 Selector Switches

Type	Appearance	Operating position		Model	Contact block		LED block	
					A contact	B contact	AC/DC voltage	AC voltage
Long shark-head lever, extended	 <p>S2SRN-S2AR□</p>	2-position, spring return		S2SRN-S2A□A(M)	1	—	—	—
				S2SRN-S2A□2A(M)	2	—		
				S2SRN-S2A□B(M)	—	1		
				S2SRN-S2A□2B(M)	—	2		
				S2SRN-S2A□AB(M)	1	1		
		2-position, maintained		S2SRN-S4A□A(M)	1	—		
				S2SRN-S4A□2A(M)	2	—		
				S2SRN-S4A□B(M)	—	1		
				S2SRN-S4A□2B(M)	—	2		
				S2SRN-S4A□AB(M)	1	1		
		2-position, spring return		S2SRN-S2B□A(M)	1	—		
				S2SRN-S2B□2A(M)	2	—		
				S2SRN-S2B□B(M)	—	1		
				S2SRN-S2B□2B(M)	—	2		
				S2SRN-S2B□AB(M)	1	1		
		2-position, maintained		S2SRN-S4B□A(M)	1	—		
				S2SRN-S4B□2A(M)	2	—		
				S2SRN-S4B□B(M)	—	1		
				S2SRN-S4B□2B(M)	—	2		
				S2SRN-S4B□AB(M)	1	1		
2-position, spring return		S2SRN-S2□A(M)	1	—				
		S2SRN-S2□2A(M)	2	—				
		S2SRN-S2□B(M)	—	1				
		S2SRN-S2□2B(M)	—	2				
		S2SRN-S2□AB(M)	1	1				

※□ indicates color: **W**, **R**  
 ※The M in the model name indicates modular type contact block. Models without M are singular contact block.  
 ※The control unit and contact blocks are sold separately.  
 (control unit: bold letters, contact block: regular letters)  
 ※Connect up to 2 contact blocks. Connect the contact blocks only on the right and left side slots.  
 It will not operate if connected to the center slot.

• Dimensions (unit: mm)




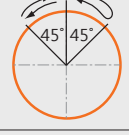
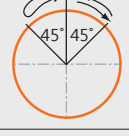
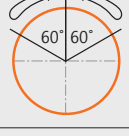
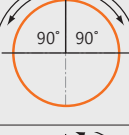
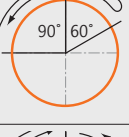
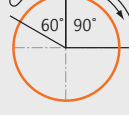




Panel thickness: Max. 6mm

	A	B
Singular type	48.5	27.0
Modular type	46.5	25.0

※For panel cut-out dimensions, please refer to page A-82.

Type	Appearance	Operating position	Model	Contact block		LED block	
				A contact	B contact	AC/DC voltage	AC voltage
Long shark-head lever, extended		3-position, spring return two-way	 S2SRN-S6K□2A(M)	2	—	—	—
			S2SRN-S6K□2B(M)	—	2		
			S2SRN-S6K□AB(M)	1	1		
		3-position, maintained	 S2SRN-S8K□2A(M)	2	—		
			S2SRN-S8K□2B(M)	—	2		
			S2SRN-S8K□AB(M)	1	1		
		3-position, spring return from right	 S2SRN-SBK□2A(M)	2	—		
			S2SRN-SBK□2B(M)	—	2		
			S2SRN-SBK□AB(M)	1	1		
		3-position, spring return from left	 S2SRN-SDK□2A(M)	2	—		
			S2SRN-SDK□2B(M)	—	2		
			S2SRN-SDK□AB(M)	1	1		
		3-position, spring return two-way	 S2SRN-S6□2A(M)	2	—		
			S2SRN-S6□2B(M)	—	2		
			S2SRN-S6□AB(M)	1	1		
		3-position, maintained	 S2SRN-S8□2A(M)	2	—		
			S2SRN-S8□2B(M)	—	2		
			S2SRN-S8□AB(M)	1	1		
		3-position, spring return from right	 S2SRN-SB□2A(M)	2	—		
			S2SRN-SB□2B(M)	—	2		
			S2SRN-SB□AB(M)	1	1		
		3-position, spring return from left	 S2SRN-SD□2A(M)	2	—		
			S2SRN-SD□2B(M)	—	2		
			S2SRN-SD□AB(M)	1	1		

※□ indicates color: **W**, **R**

※The M in the model name indicates modular type contact block. Models without M are singular contact block.

※The control unit and contact blocks are sold separately.

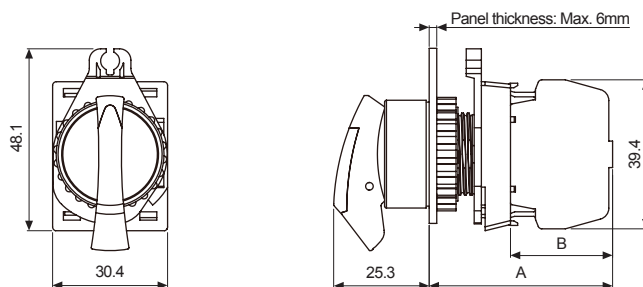
(control unit: bold letters, contact block: regular letters)

※Connect up to 2 contact blocks. Connect the contact blocks only on the right and left side slots.

It will not operate if connected to the center slot.

• Dimensions

(unit: mm)





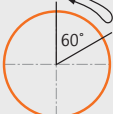
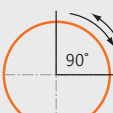



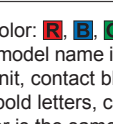
	A	B
Singular type	48.5	27.0
Modular type	46.5	25.0

※For panel cut-out dimensions, please refer to page A-82.



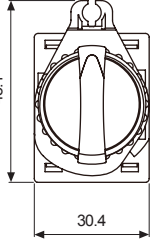


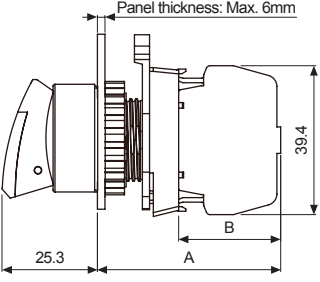
# Ø22/25 Selector Switches

Type	Appearance	Operating position		Model	Contact block		LED block	
					A contact	B contact	AC/DC voltage	AC voltage
Short shark-head lever, extended (illuminated)	 S2SRN-L1AR□  	2-position, spring return		S2SRN-L1A□AL(M)	1	—	—	1
				S2SRN-L1A□2AL(M)	2	—		
				S2SRN-L1A□BL(M)	—	1		
				S2SRN-L1A□2BL(M)	—	2		
		2-position, maintained		S2SRN-L1A□ABL(M)	1	1		
				S2SRN-L3A□AL(M)	1	—		
				S2SRN-L3A□2AL(M)	2	—		
				S2SRN-L3A□BL(M)	—	1		
		2-position, spring return		S2SRN-L3A□2BL(M)	—	2		
				S2SRN-L3A□ABL(M)	1	1		
				S2SRN-L1B□AL(M)	1	—		
				S2SRN-L1B□2AL(M)	2	—		
		2-position, maintained		S2SRN-L1B□BL(M)	—	1		
				S2SRN-L1B□2BL(M)	—	2		
				S2SRN-L1B□ABL(M)	1	1		
				S2SRN-L3B□AL(M)	1	—		
		2-position, maintained		S2SRN-L3B□2AL(M)	2	—		
				S2SRN-L3B□BL(M)	—	1		
				S2SRN-L3B□2BL(M)	—	2		
				S2SRN-L3B□ABL(M)	1	1		
		2-position, spring return		S2SRN-L1□AL(M)	1	—		
				S2SRN-L1□2AL(M)	2	—		
				S2SRN-L1□BL(M)	—	1		
				S2SRN-L1□2BL(M)	—	2		
				S2SRN-L1□ABL(M)	1	1		

※□ indicates color: **R**, **B**, **G**, **Y**  
 ※The M in the model name indicates modular type contact block. Models without M are singular contact block.  
 ※The control unit, contact blocks, LED blocks are sold separately.  
 (control unit: bold letters, contact and LED block: regular letters)  
 ※The LED color is the same as the control unit.  
 ※Connect up to 2 contact blocks. Connect the contact blocks only on the right and left side slots.  
 It will not operate if connected to the center slot.

• Dimensions (unit: mm)





	A	B
Singular type	48.5	27.0
Modular type	46.5	25.0

※For panel cut-out dimensions, please refer to page A-82.



Control Switches

Ø16

Ø22/25

Ø30

□30

Push Button Switches

- Round
- Square
- Rectangular

Selector Switches

- Round
- Square
- Rectangular

Key Selector Switches

- Round
- Square
- Rectangular

Double Push Button Switches










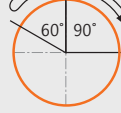
Mushroom-head Push Button Switches

Emergency Switches

Pilot Lights

Accessories

Buzzers

Type	Appearance	Operating position	Model	Contact block		LED block	
				A contact	B contact	AC/DC voltage	AC voltage
Short shark-head lever, extended (illuminated)	 S2SRN-L1AR□  	3-position, spring return two-way	 S2SRN-L5K□2AL(M)	2	—	—	1
			S2SRN-L5K□2BL(M)	—	2		
			S2SRN-L5K□ABL(M)	1	1		
		3-position, maintained	 S2SRN-L7K□2AL(M)	2	—		
			S2SRN-L7K□2BL(M)	—	2		
			S2SRN-L7K□ABL(M)	1	1		
		3-position, spring return from right	 S2SRN-LAK□2AL(M)	2	—		
			S2SRN-LAK□2BL(M)	—	2		
			S2SRN-LAK□ABL(M)	1	1		
		3-position, spring return from left	 S2SRN-LCK□2AL(M)	2	—		
			S2SRN-LCK□2BL(M)	—	2		
			S2SRN-LCK□ABL(M)	1	1		
		3-position, spring return two-way	 S2SRN-L5□2AL(M)	2	—		
			S2SRN-L5□2BL(M)	—	2		
			S2SRN-L5□ABL(M)	1	1		
		3-position, maintained	 S2SRN-L7□2AL(M)	2	—		
			S2SRN-L7□2BL(M)	—	2		
			S2SRN-L7□ABL(M)	1	1		
		3-position, spring return from right	 S2SRN-LA□2AL(M)	2	—		
			S2SRN-LA□2BL(M)	—	2		
			S2SRN-LA□ABL(M)	1	1		
		3-position, spring return from left	 S2SRN-LC□2AL(M)	2	—		
			S2SRN-LC□2BL(M)	—	2		
			S2SRN-LC□ABL(M)	1	1		

※□ indicates color: **R**, **B**, **G**, **Y**

※The M in the model name indicates modular type contact block. Models without M are singular contact block.

※The control unit, contact blocks, LED blocks are sold separately.

(control unit: bold letters, contact and LED block: regular letters)

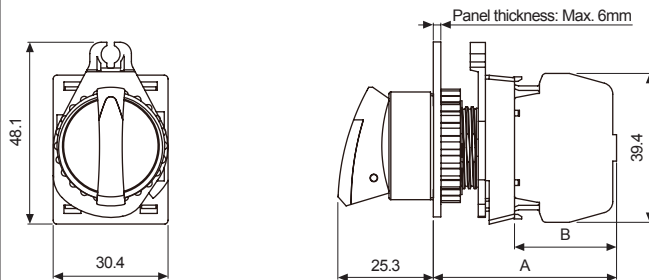
※The LED color is the same as the control unit.

※Connect up to 2 contact blocks. Connect the contact blocks only on the right and left side slots.

It will not operate if connected to the center slot.

• Dimensions

(unit: mm)


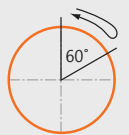

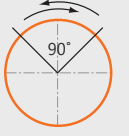
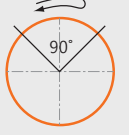


	A	B
Singular type	48.5	27.0
Modular type	46.5	25.0

※For panel cut-out dimensions, please refer to page A-82.



# Ø22/25 Selector Switches

Type	Appearance	Operating position		Model	Contact block		LED block			
					A contact	B contact	AC/DC voltage	AC voltage		
Short shark-head lever, extended (illuminated)	 <p>S2SRN-L1AR□</p>	2-position, spring return		S2SRN-L1A□AD(M)	1	—	1	—		
				S2SRN-L1A□2AD(M)	2	—				
				S2SRN-L1A□BD(M)	—	1				
				S2SRN-L1A□2BD(M)	—	2				
				S2SRN-L1A□ABD(M)	1	1				
		2-position, maintained		S2SRN-L3A□AD(M)	1	—				
				S2SRN-L3A□2AD(M)	2	—				
				S2SRN-L3A□BD(M)	—	1				
				S2SRN-L3A□2BD(M)	—	2				
		2-position, spring return		S2SRN-L1B□AD(M)	1	—				
				S2SRN-L1B□2AD(M)	2	—				
				S2SRN-L1B□BD(M)	—	1				
				S2SRN-L1B□2BD(M)	—	2				
		2-position, maintained		S2SRN-L3B□AD(M)	1	—				
				S2SRN-L3B□2AD(M)	2	—				
				S2SRN-L3B□BD(M)	—	1				
				S2SRN-L3B□2BD(M)	—	2				
		2-position, spring return		S2SRN-L1□AD(M)	1	—				
				S2SRN-L1□2AD(M)	2	—				
				S2SRN-L1□BD(M)	—	1				
				S2SRN-L1□2BD(M)	—	2				
						S2SRN-L1□ABD(M)			1	1

※□ indicates color: **R**, **B**, **G**, **Y**

※The M in the model name indicates modular type contact block. Models without M are singular contact block.

※The control unit, contact blocks, LED blocks are sold separately.

(control unit: bold letters, contact and LED block: regular letters)

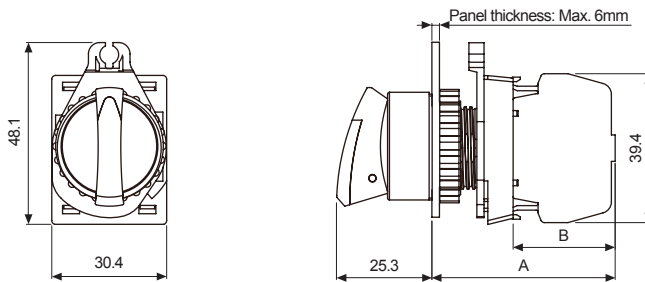
※The LED color is the same as the control unit.

※Connect up to 2 contact blocks. Connect the contact blocks only on the right and left side slots.

It will not operate if connected to the center slot.

• Dimensions

(unit: mm)



	A	B
Singular type	48.5	27.0
Modular type	46.5	25.0

※For panel cut-out dimensions, please refer to page A-82.



Control Switches

Ø16

Ø22/25

Ø30

□30

Push Button Switches

Round

Square

Rectangular

Selector Switches

Round

Square

Rectangular

Key Selector Switches

Round

Square

Rectangular

Double Push Button Switches



Mushroom-head Push Button Switches

Emergency Switches

Pilot Lights

Accessories

Buzzers

Type	Appearance	Operating position	Model	Contact block		LED block	
				A contact	B contact	AC/DC voltage	AC voltage
Short shark-head lever, extended (illuminated)	 <p>S2SRN-L1AR□</p>	3-position, spring return two-way	 <b>S2SRN-L5K□2AD(M)</b>	2	—	1	—
			<b>S2SRN-L5K□2BD(M)</b>	—	2		
			<b>S2SRN-L5K□ABD(M)</b>	1	1		
		3-position, maintained	<b>S2SRN-L7K□2AD(M)</b>	2	—		
			<b>S2SRN-L7K□2BD(M)</b>	—	2		
			<b>S2SRN-L7K□ABD(M)</b>	1	1		
		3-position, spring return from right	<b>S2SRN-LAK□2AD(M)</b>	2	—		
			<b>S2SRN-LAK□2BD(M)</b>	—	2		
			<b>S2SRN-LAK□ABD(M)</b>	1	1		
		3-position, spring return from left	<b>S2SRN-LCK□2AD(M)</b>	2	—		
			<b>S2SRN-LCK□2BD(M)</b>	—	2		
			<b>S2SRN-LCK□ABD(M)</b>	1	1		
		3-position, spring return two-way	<b>S2SRN-L5□2AD(M)</b>	2	—		
			<b>S2SRN-L5□2BD(M)</b>	—	2		
			<b>S2SRN-L5□ABD(M)</b>	1	1		
		3-position, maintained	<b>S2SRN-L7□2AD(M)</b>	2	—		
			<b>S2SRN-L7□2BD(M)</b>	—	2		
			<b>S2SRN-L7□ABD(M)</b>	1	1		
		3-position, spring return from right	<b>S2SRN-LA□2AD(M)</b>	2	—		
			<b>S2SRN-LA□2BD(M)</b>	—	2		
			<b>S2SRN-LA□ABD(M)</b>	1	1		
		3-position, spring return from left	<b>S2SRN-LC□2AD(M)</b>	2	—		
			<b>S2SRN-LC□2BD(M)</b>	—	2		
			<b>S2SRN-LC□ABD(M)</b>	1	1		

□ indicates color: **R**, **B**, **G**, **Y**

※The M in the model name indicates modular type contact block. Models without M are singular contact block.

※The control unit, contact blocks, LED blocks are sold separately.

(control unit: bold letters, contact blocks and LED block: regular letters)

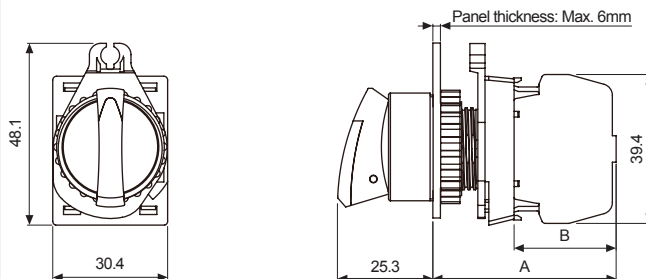
※The LED color is the same as the control unit.

※Connect up to 2 contact blocks. Connect the contact blocks only on the right and left side slots.

It will not operate if connected to the center slot.

• Dimensions

(unit: mm)



	A	B
Singular type	48.5	27.0
Modular type	46.5	25.0

※For panel cut-out dimensions, please refer to page A-82.



# Ø22/25 Selector Switches

Type	Appearance	Operating position		Model	Contact block		LED block			
					A contact	B contact	AC/DC voltage	AC voltage		
Long shark-head lever, extended (illuminated)	 S2SRN-L2AR□  	2-position, spring return		S2SRN-L2A□AL(M)	1	—	—	1		
				S2SRN-L2A□2AL(M)	2	—				
				S2SRN-L2A□BL(M)	—	1				
				S2SRN-L2A□2BL(M)	—	2				
		2-position, maintained		S2SRN-L4A□AL(M)	1	—				
				S2SRN-L4A□2AL(M)	2	—				
				S2SRN-L4A□BL(M)	—	1				
				S2SRN-L4A□2BL(M)	—	2				
		2-position, spring return		S2SRN-L2B□AL(M)	1	—				
				S2SRN-L2B□2AL(M)	2	—				
				S2SRN-L2B□BL(M)	—	1				
				S2SRN-L2B□2BL(M)	—	2				
		2-position, maintained		S2SRN-L4B□AL(M)	1	—				
				S2SRN-L4B□2AL(M)	2	—				
				S2SRN-L4B□BL(M)	—	1				
				S2SRN-L4B□2BL(M)	—	2				
		2-position, spring return		S2SRN-L2□AL(M)	1	—				
				S2SRN-L2□2AL(M)	2	—				
				S2SRN-L2□BL(M)	—	1				
				S2SRN-L2□2BL(M)	—	2				
						S2SRN-L2□ABL(M)			1	1

※□ indicates color: **R**, **B**, **G**, **Y**

※The M in the model name indicates modular type contact block. Models without M are singular contact block.

※The control unit, contact blocks, LED blocks are sold separately.

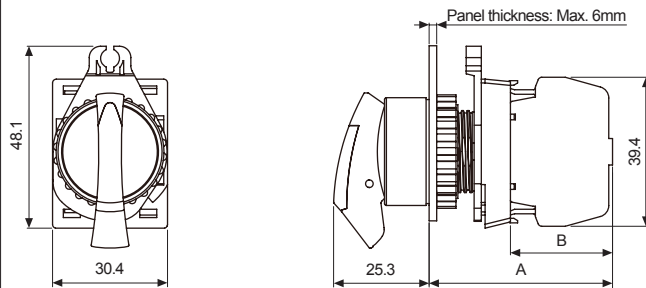
(control unit: bold letters, contact and LED block: regular letters)

※The LED color is the same as the control unit.

※Connect up to 2 contact blocks. Connect the contact blocks only on the right and left side slots. It will not operate if connected to the center slot.

• Dimensions

(unit: mm)



	A	B
Singular type	48.5	27.0
Modular type	46.5	25.0

※For panel cut-out dimensions, please refer to page A-82.



# Ø22/25 Selector Switches

## Control Switches

Ø16

Ø22/25

Ø30

□30

## Push Button Switches

Round

Square

Rectangular

## Selector Switches

Round

Square

Rectangular

## Key Selector Switches

Round

Square

Rectangular

## Double Push Button Switches







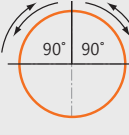

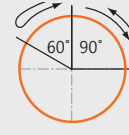
## Mushroom-head Push Button Switches

## Emergency Switches

## Pilot Lights

## Accessories

## Buzzers

Type	Appearance	Operating position	Model	Contact block		LED block	
				A contact	B contact	AC/DC voltage	AC voltage
Long shark-head lever, extended (illuminated)	 <p>S2SRN-L2AR□</p>	3-position, spring return two-way	 <b>S2SRN-L6K□2AL(M)</b>	2	—	—	1
			<b>S2SRN-L6K□2BL(M)</b>	—	2		
			<b>S2SRN-L6K□ABL(M)</b>	1	1		
		3-position, maintained	 <b>S2SRN-L8K□2AL(M)</b>	2	—		
			<b>S2SRN-L8K□2BL(M)</b>	—	2		
			<b>S2SRN-L8K□ABL(M)</b>	1	1		
		3-position, spring return from right	 <b>S2SRN-LBK□2AL(M)</b>	2	—		
			<b>S2SRN-LBK□2BL(M)</b>	—	2		
			<b>S2SRN-LBK□ABL(M)</b>	1	1		
		3-position, spring return from left	 <b>S2SRN-LDK□2AL(M)</b>	2	—		
			<b>S2SRN-LDK□2BL(M)</b>	—	2		
			<b>S2SRN-LDK□ABL(M)</b>	1	1		
		3-position, spring return two-way	 <b>S2SRN-L6□2AL(M)</b>	2	—		
			<b>S2SRN-L6□2BL(M)</b>	—	2		
			<b>S2SRN-L6□ABL(M)</b>	1	1		
		3-position, maintained	 <b>S2SRN-L8□2AL(M)</b>	2	—		
			<b>S2SRN-L8□2BL(M)</b>	—	2		
			<b>S2SRN-L8□ABL(M)</b>	1	1		
		3-position, spring return from right	 <b>S2SRN-LB□2AL(M)</b>	2	—		
			<b>S2SRN-LB□2BL(M)</b>	—	2		
			<b>S2SRN-LB□ABL(M)</b>	1	1		
		3-position, spring return from left	 <b>S2SRN-LD□2AL(M)</b>	2	—		
			<b>S2SRN-LD□2BL(M)</b>	—	2		
			<b>S2SRN-LD□ABL(M)</b>	1	1		

※□ indicates color: **R**, **B**, **G**, **Y**

※The M in the model name indicates modular type contact block. Models without M are singular contact block.

※The control unit, contact blocks, LED blocks are sold separately.

(control unit: bold letters, contact and LED block: regular letters)

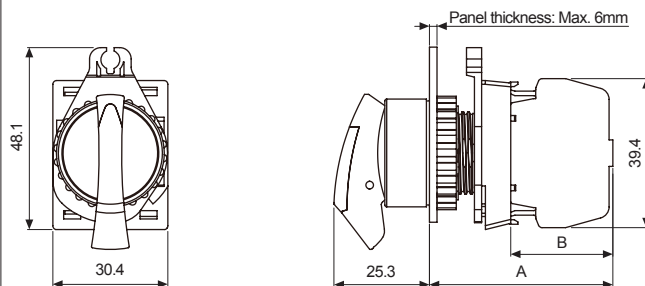
※The LED color is the same as the control unit.

※Connect up to 2 contact blocks. Connect the contact blocks only on the right and left side slots.

It will not operate if connected to the center slot.

### • Dimensions

(unit: mm)


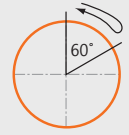


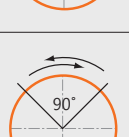



	A	B
Singular type	48.5	27.0
Modular type	46.5	25.0

※For panel cut-out dimensions, please refer to page A-82.



# Ø22/25 Selector Switches

Type	Appearance	Operating position		Model	Contact block		LED block	
					A contact	B contact	AC/DC voltage	AC voltage
Long shark-head lever, extended (illuminated)		2-position, spring return		S2SRN-L2A□AD(M)	1	—	1	—
				S2SRN-L2A□2AD(M)	2	—		
				S2SRN-L2A□BD(M)	—	1		
				S2SRN-L2A□2BD(M)	—	2		
				S2SRN-L2A□ABD(M)	1	1		
		2-position, maintained		S2SRN-L4A□AD(M)	1	—		
				S2SRN-L4A□2AD(M)	2	—		
				S2SRN-L4A□BD(M)	—	1		
				S2SRN-L4A□2BD(M)	—	2		
		2-position, spring return		S2SRN-L2B□AD(M)	1	—		
				S2SRN-L2B□2AD(M)	2	—		
				S2SRN-L2B□BD(M)	—	1		
				S2SRN-L2B□2BD(M)	—	2		
				S2SRN-L2B□ABD(M)	1	1		
		2-position, maintained		S2SRN-L4B□AD(M)	1	—		
				S2SRN-L4B□2AD(M)	2	—		
				S2SRN-L4B□BD(M)	—	1		
				S2SRN-L4B□2BD(M)	—	2		
		2-position, spring return		S2SRN-L2□AD(M)	1	—		
				S2SRN-L2□2AD(M)	2	—		
				S2SRN-L2□BD(M)	—	1		
				S2SRN-L2□2BD(M)	—	2		
				S2SRN-L2□ABD(M)	1	1		

※□ indicates color: **R**, **B**, **G**, **Y**

※The M in the model name indicates modular type contact block. Models without M are singular contact block.

※The control unit, contact blocks, LED blocks are sold separately.

(control unit: bold letters, contact and LED block: regular letters)

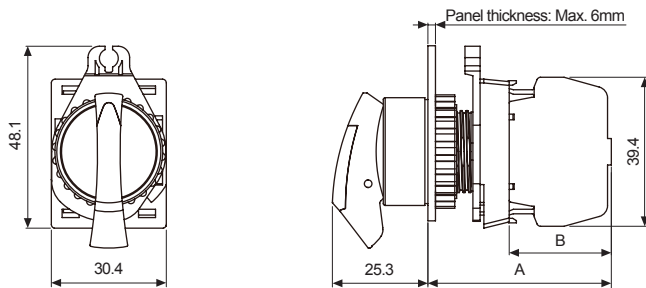
※The LED color is the same as the control unit.

※Connect up to 2 contact blocks. Connect the contact blocks only on the right and left side slots.

It will not operate if connected to the center slot.

• Dimensions

(unit: mm)



	A	B
Singular type	48.5	27.0
Modular type	46.5	25.0

※For panel cut-out dimensions, please refer to page A-82.



Control Switches

Ø16

Ø22/25

Ø30

□30

Push Button Switches

Round

Square

Rectangular

Selector Switches

Round

Square

Rectangular

Key Selector Switches

Round

Square

Rectangular

Double Push Button Switches

Mushroom-head Push Button Switches

Emergency Switches

Pilot Lights

Accessories

Buzzers

Type	Appearance	Operating position	Model	Contact block		LED block	
				A contact	B contact	AC/DC voltage	AC voltage
Long shark-head lever, extended (illuminated)	 <p>S2SRN-L2AR□</p>	3-position, spring return two-way	 S2SRN-L6K□2AD(M)	2	—	1	—
			S2SRN-L6K□2BD(M)	—	2		
			S2SRN-L6K□ABD(M)	1	1		
		3-position, maintained	S2SRN-L8K□2AD(M)	2	—		
			S2SRN-L8K□2BD(M)	—	2		
			S2SRN-L8K□ABD(M)	1	1		
		3-position, spring return from right	S2SRN-LBK□2AD(M)	2	—		
			S2SRN-LBK□2BD(M)	—	2		
			S2SRN-LBK□ABD(M)	1	1		
		3-position, spring return from left	S2SRN-LDK□2AD(M)	2	—		
			S2SRN-LDK□2BD(M)	—	2		
			S2SRN-LDK□ABD(M)	1	1		
		3-position, spring return two-way	S2SRN-L6□2AD(M)	2	—		
			S2SRN-L6□2BD(M)	—	2		
			S2SRN-L6□ABD(M)	1	1		
		3-position, maintained	S2SRN-L8□2AD(M)	2	—		
			S2SRN-L8□2BD(M)	—	2		
			S2SRN-L8□ABD(M)	1	1		
		3-position, spring return from right	S2SRN-LB□2AD(M)	2	—		
			S2SRN-LB□2BD(M)	—	2		
			S2SRN-LB□ABD(M)	1	1		
		3-position, spring return from left	S2SRN-LD□2AD(M)	2	—		
			S2SRN-LD□2BD(M)	—	2		
			S2SRN-LD□ABD(M)	1	1		

※□ indicates color: **R**, **B**, **G**, **Y**

※The M in the model name indicates modular type contact block. Models without M are singular contact block.

※The control unit, contact blocks, LED blocks are sold separately.

(control unit: bold letters, contact and LED block: regular letters)

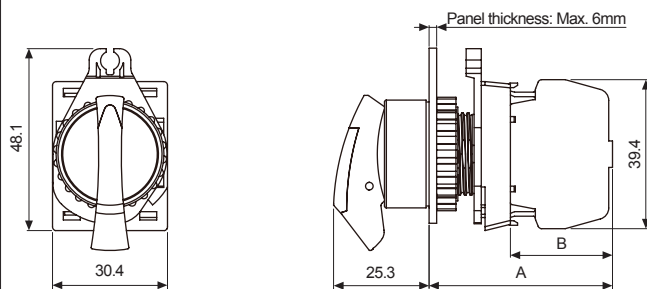
※The LED color is the same as the control unit.

※Connect up to 2 contact blocks. Connect the contact blocks only on the right and left side slots.

It will not operate if connected to the center slot.

• Dimensions

(unit: mm)



	A	B
Singular type	48.5	27.0
Modular type	46.5	25.0


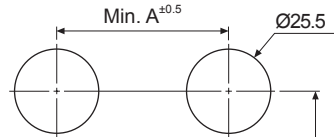
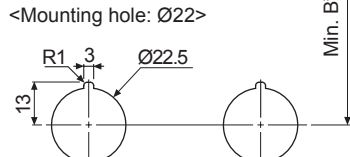









※For panel cut-out dimensions, please refer to page A-82.



# Ø22/25 Panel Cut-out Dimensions

## Ø22/25 Panel Cut-out Dimensions

(unit: mm)

Type		A	B	Panel Cut-out Dimensions	
Round/Square Push Button Switches (S2PR/S2PRS Series)			33	55	<p>&lt;Mounting hole: Ø25&gt;</p>  <p>&lt;Mounting hole: Ø22&gt;</p> 
Round Selector Switches (S2SR/S2SRN Series)	Short lever		33	55	
	Long lever		55	55	
Round Key Selector Switches (S2KR Series)			33	55	
Double Push Button Switches (S2TR Series)			33	60	
Mushroom-head Push Button Switches (S2BR Series)			33	55	
Emergency Switches (S2ER Series)	D30		33	55	
	D40		55	55	
	D60		80	80	
Pilot Lights (L2RR Series)			33	55	